

## SECTION 3.3 RAIL DRILLINGS, BAR PUNCHINGS AND BOLTS<sup>1</sup> (1991)

For rail drillings, bar punchings and bolts refer to [Table 4-3-1](#) and [Figure 4-3-8](#) through [Figure 4-3-9](#).

**Table 4-3-1. Recommended Rail Drillings, Bar Punchings and Track Bolts for 115 RE, 119 RE, 132 RE, 133 RE, 136 RE, 140 RE and 141 RE Rails and Joint Bars**

Description	Dimensions in Inches			
	115 RE and 119 RE	133 RE	132 RE, 136 RE and 141 RE	140 RE
<b>Rail Drillings</b>				
a	2-7/8	3	3-3/32	3
b	3-1/2	3-1/2	3-1/2	3-1/2
c	6	6	6	6
d (Note 1)	6	6	6	6
<b>Bar Punchings</b>				
<b>4-Hole Bar</b>				
e	7-1/8	7-1/8	7-1/8	7-1/8
f	6	6	6	6
g	2-7/16	2-7/16	2-7/16	2-7/16
<b>6-Hole Bar</b>				
h	7-1/8	7-1/8	7-1/8	7-1/8
i	6	6	6	6
j	6	6	6	6
k	2-7/16	3-7/16	2-7/16	2-7/16
m	36	38	36	36
<b>Track Bolt</b>				
D	1	1	1-1/8	1-1/8
L	6	6	6	6
I	2-1/4	2-1/4	2-1/4	2-1/4
Note 1: This drilling to be omitted for 4-hole bars.				

<sup>1</sup> References, Vol. 37, 1936, pp. 462, 996; Vol. 48, 1947, pp. 656, 908; Vol. 49, 1948, pp. 376, 614; Vol. 54, 1953, pp. 1179, 1414; Vol. 55, 1954, pp. 777, 1098; Vol. 63, 1962, pp. 500, 768; Vol. 92, 1991, p. 49.

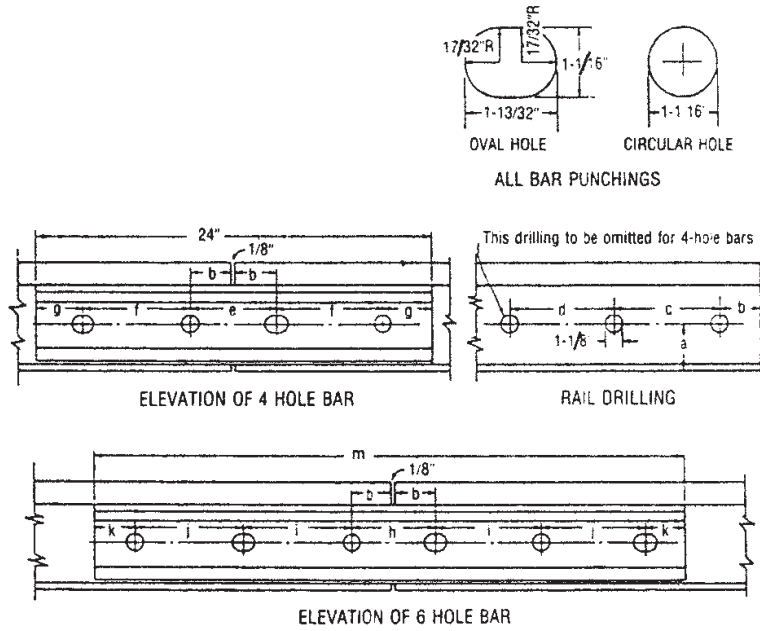


Figure 4-3-8. Recommended Rail Drillings and Bar Punchings for 115 RE, 119 RE, and 133 RE, Utilizing 1 Inch Track Bolts

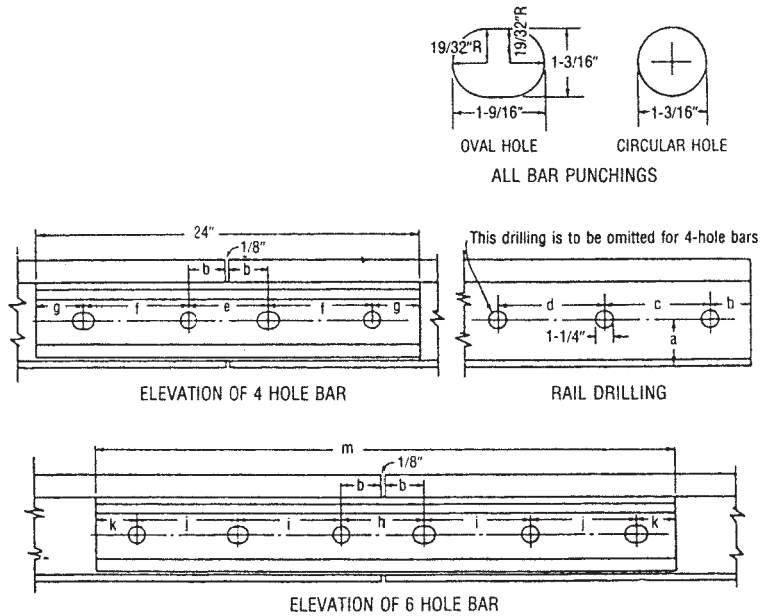


Figure 4-3-9. Recommended Rail Drillings and Bar Punchings for 132 RE, 136 RE, 140 RE Rails, and 141 RE Rails and Joint Bars, Utilizing 1-1/8 Inch Track Bolts